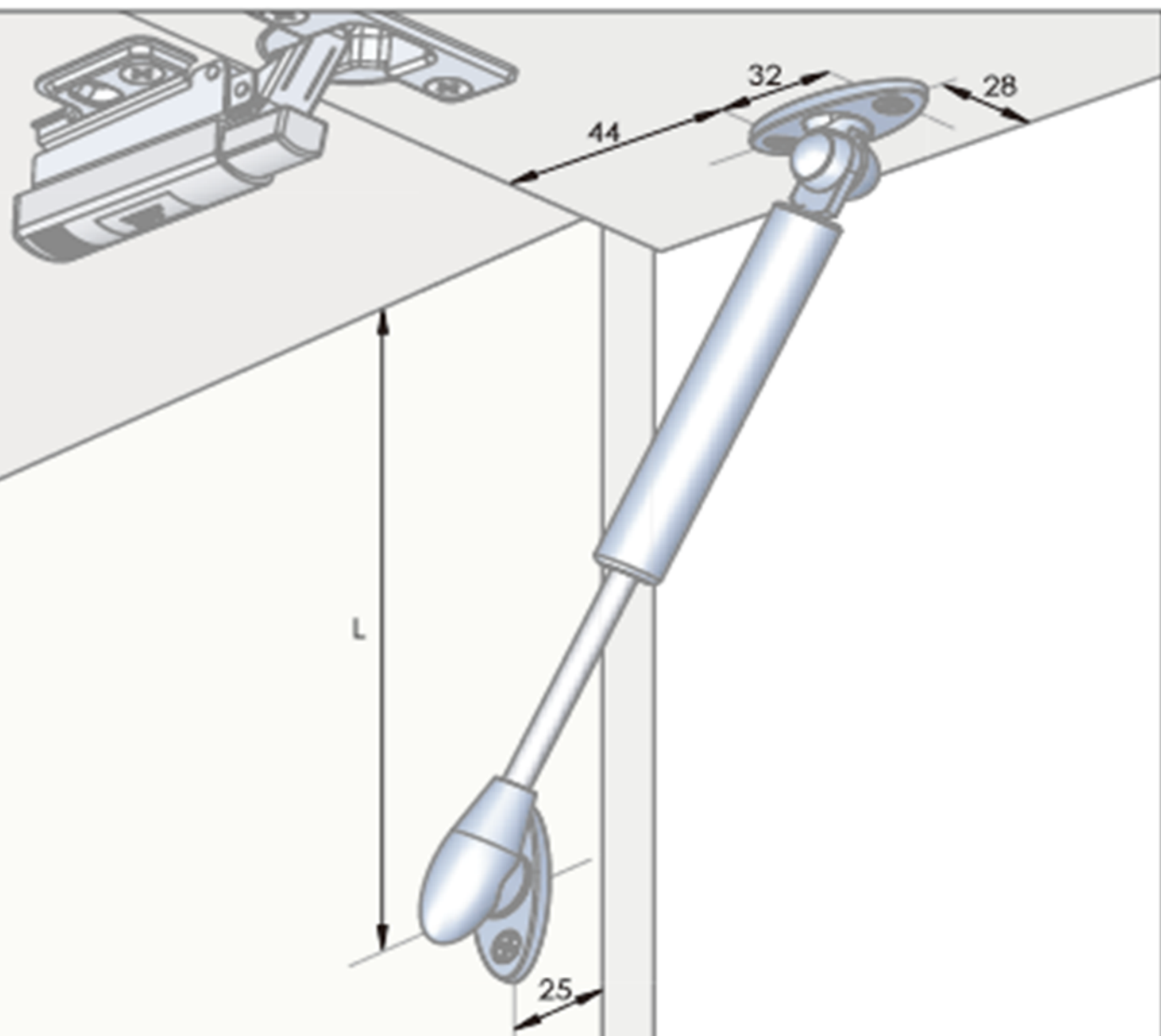


GAS SPRING

Mounting and
selection of product

Guide for mounting the H-type bracket applied thing
at the side-panel (**L-Max = 180mm**)

Mounting Position



L	181	187	193
opening angle	90°	85°	80°

Guide for mounting the H-type bracket applied thing at the side-panel (L-Max = 240mm)

- The application table may be applied only if the product is mounted at the same position as the figure.
- The application table may be preferentially applied in accordance with the height and weight of the door, and please apply after confirming the mounting of sample.

Mounting Position

